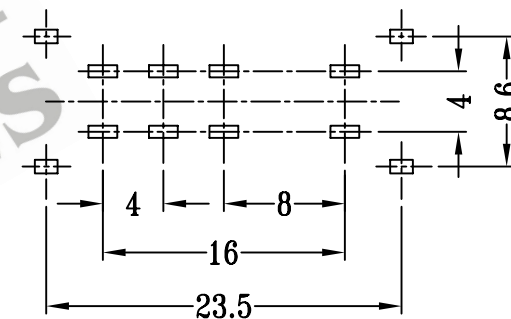
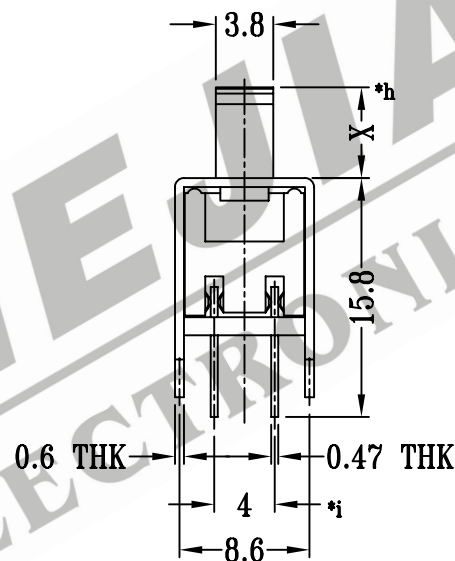
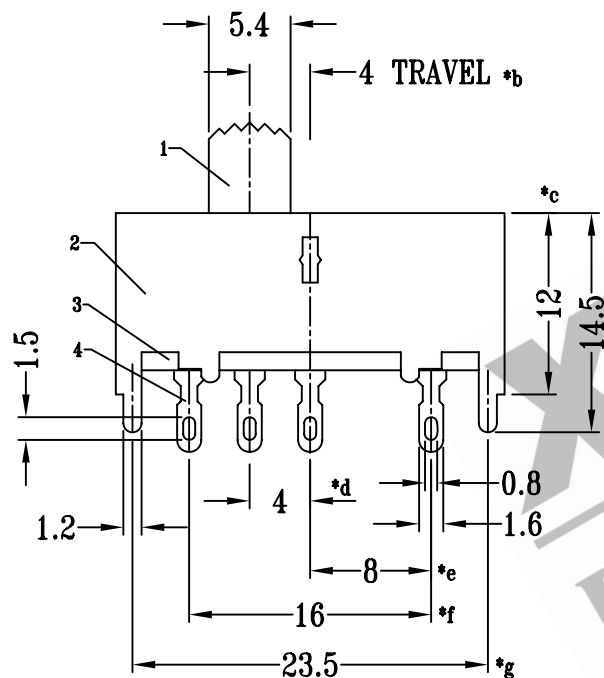
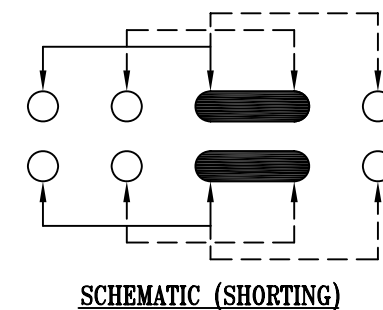
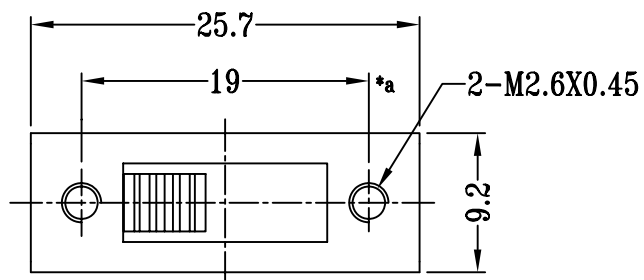


CAD FILE:



P.C.B LAYOUT

注:带*表示关键尺寸(9个)

NO.	PARTS	MATERIALS	Q'TY	FINISH	TOLERANCE UNLESS SPECIFIED	SHENZHEN XIEJIA ELECTRONICS CO.,LTD.					
8						ISSUE		DATE		DESCRIPTIONS OF REVISION	APPD
7	CONTACT CLIP	PBS STRIP	2	Ag PLATED	WITHIN: 1.5±0.1mm OVER : 1.5±0.2mm	TITLE: VERTICAL SLIDE SWITCH		UNIT : mm	DRWG NO.: XJ-DR-SS23H03-00		
6	STEEL BALL	STEEL	2	NATURAL		MODEL: SS-23H03		SCALE: 2:1	DWN	ZHOUYU	2001-5-22
5	SPRING	STEEL WIRE	1	TEMPER					CHK'D	FANGYING	2001-5-22
4	TERMINAL	BRASS STRIP	8	Ag PLATED OVER Ni PLATED					APPD	KANGXINAN	2001-5-22
3	BASE	PHENOLIC RESIN	1	BLACK							
2	FRAME	STEEL STRIP	1	Ni PLATED							
1	KNOB	POM	1	BLACK							
					ALL MATERIALS MUST BE COMPLIANT TO ROHS						